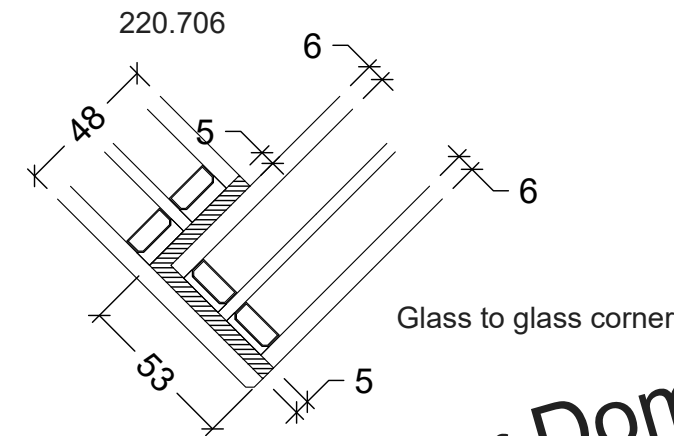
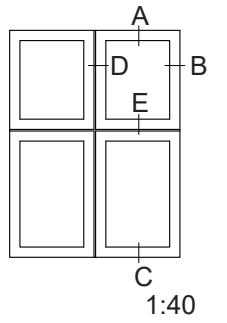
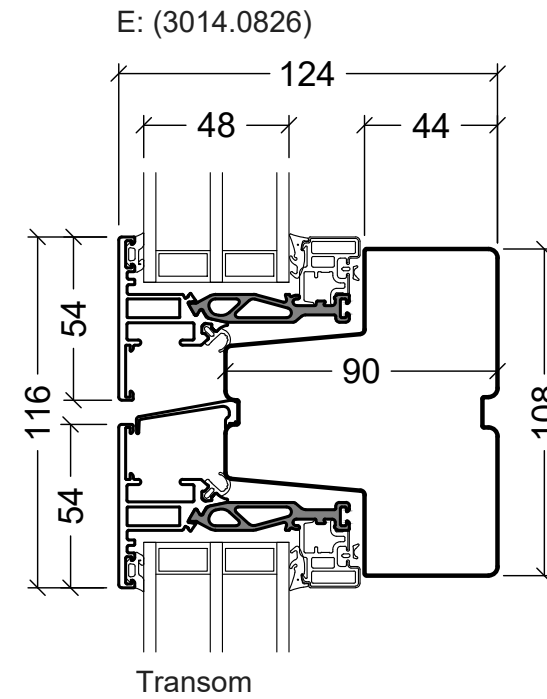
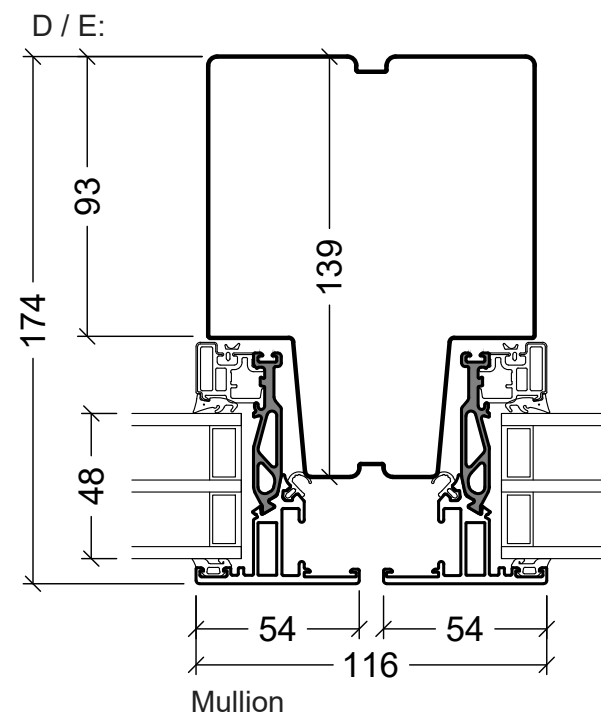
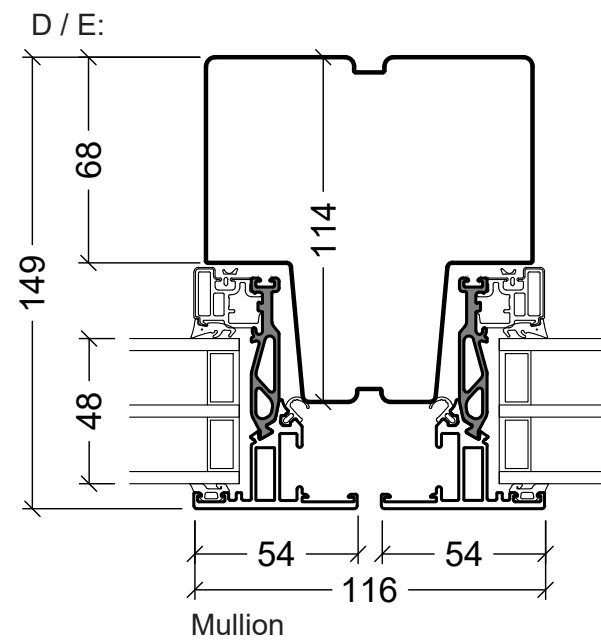
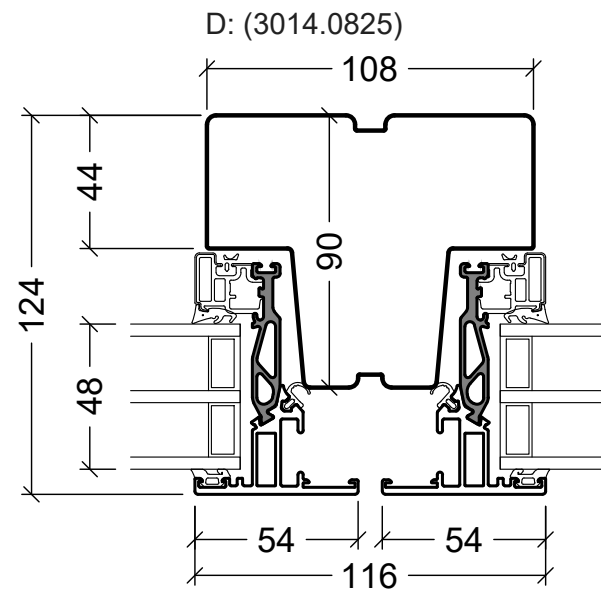
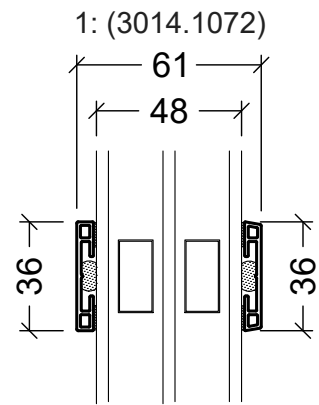


139mm frame

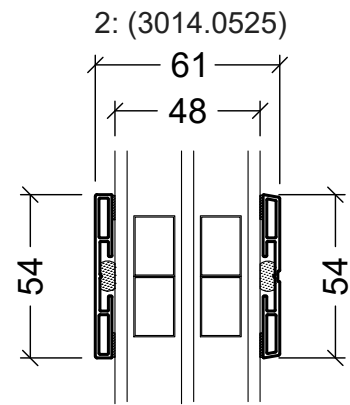


Selection for Domestic Projects

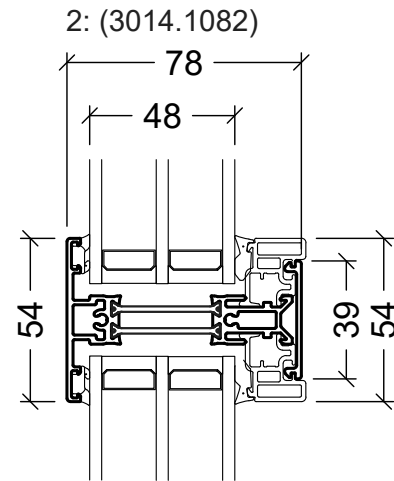
VELFAC® <small>VELFAC is a trademark of DOVISTA A/S</small>	System: VELFAC 200 Energy	Scale: 1:2,5 / 1:40
	English: Standard details	Edition No. 09
	Dansk: -	01.21 © 2013, 2021
<small>© DOVISTA A/S, CVR-no. 21147583. All intellectual property rights, copyright as well as all rights in know-how vest in DOVISTA A/S. This drawing may not be reproduced, stored, or transmitted in any form by any means (electronic, mechanical, photocopying, recording or otherwise) without the prior written consent of DOVISTA A/S. This drawing is to be used only for the purposes specified by DOVISTA A/S and for no other purpose. We reserve all rights to change the product and product range without notice.</small>		



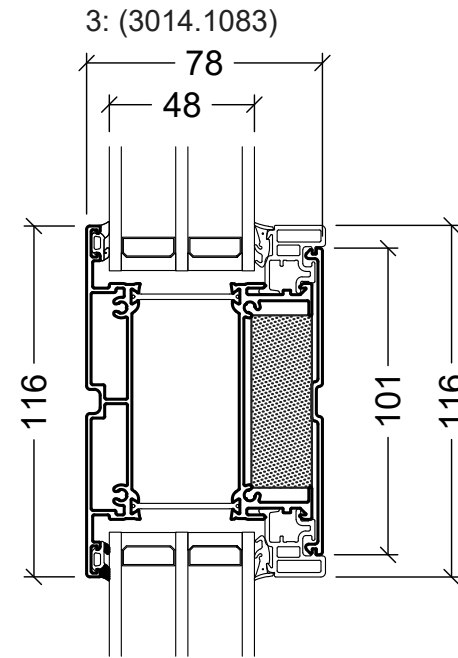
1: (3014.1072)
36mm energy glazingbar



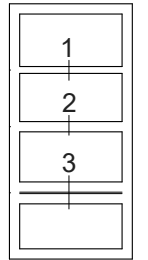
2: (3014.0525)
54mm energy glazingbar



2: (3014.1082)
54mm glazingbar for VELFAC Energy




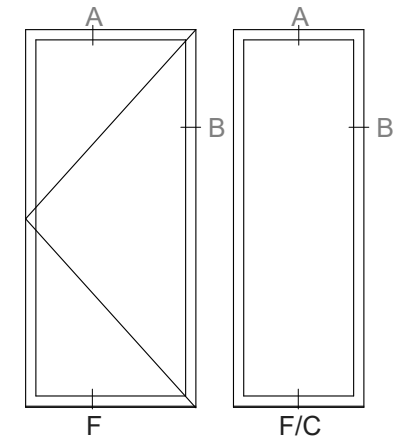
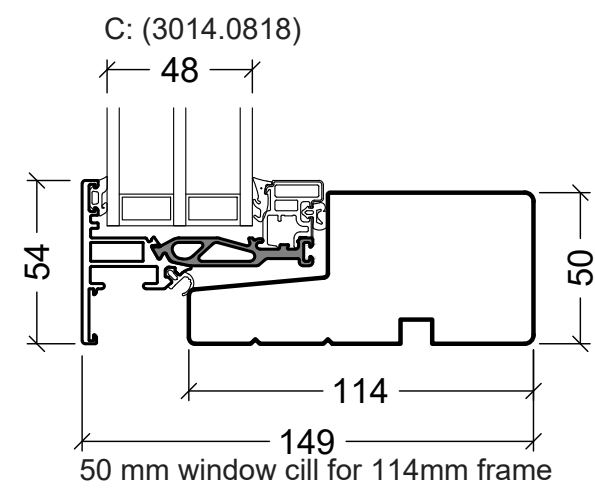
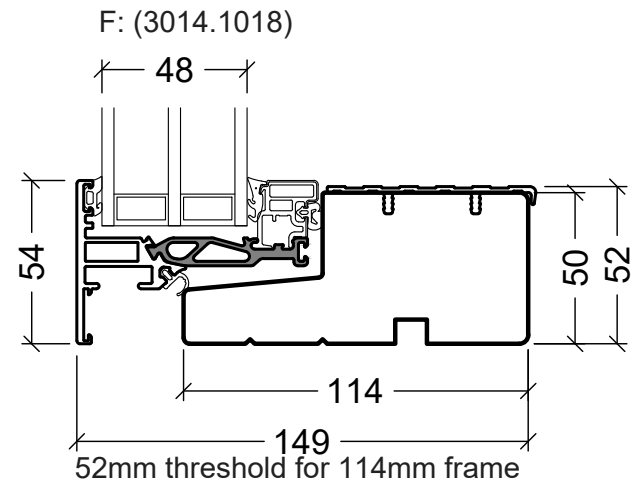
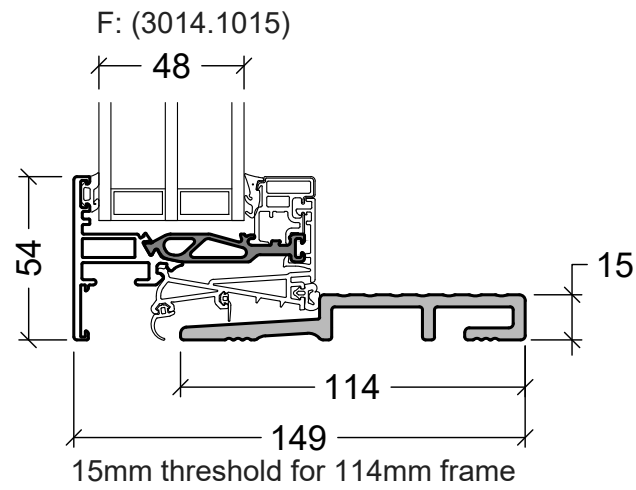
3: (3014.1083)
116mm glazingbar for VELFAC Energy



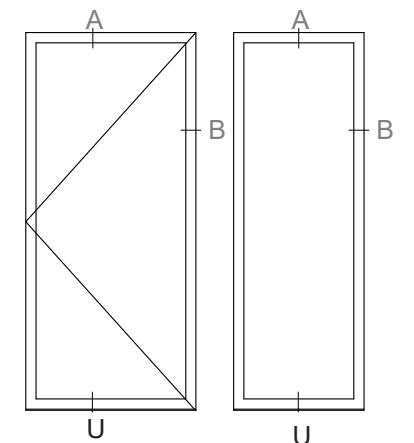
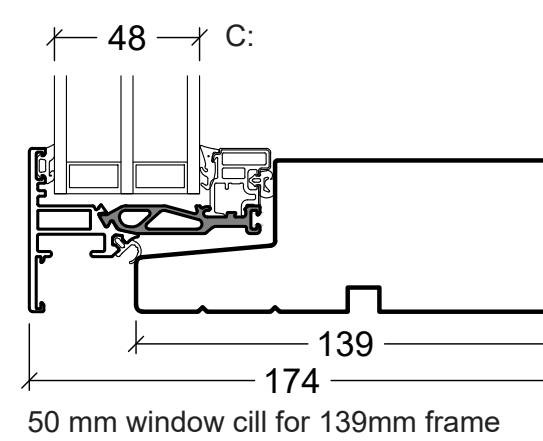
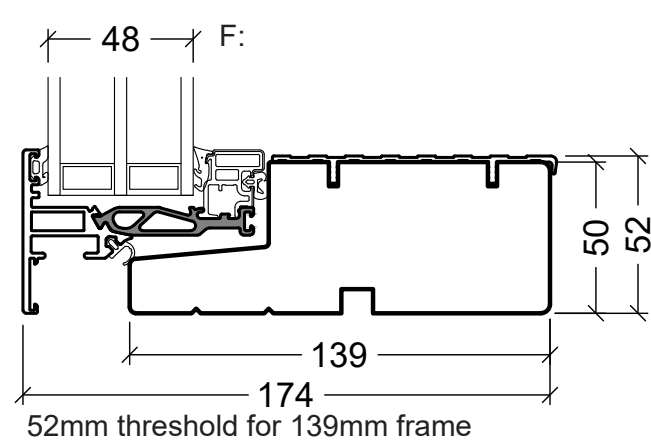
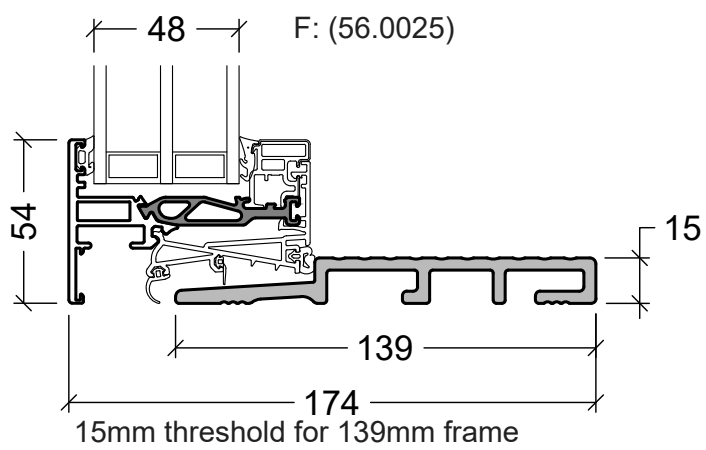
1:40

Selection for Domestic Projects

 VELFAC is a trademark of DOVISTA A/S	System: VELFAC 200 Energy	Scale: 1:2,5 / 1:40
	English: Glazing bars	Edition No. 09
	Dansk: -	01.21 © 2013, 2021
<small>© DOVISTA A/S, CVR-no. 21147583. All intellectual property rights, copyright as well as all rights in know-how vest in DOVISTA A/S. This drawing may not be reproduced, stored, or transmitted in any form by any means (electronic, mechanical, photocopying, recording or otherwise) without the prior written consent of DOVISTA A/S. This drawing is to be used only for the purposes specified by DOVISTA A/S and for no other purpose. We reserve all rights to change the product and product range without notice.</small>		

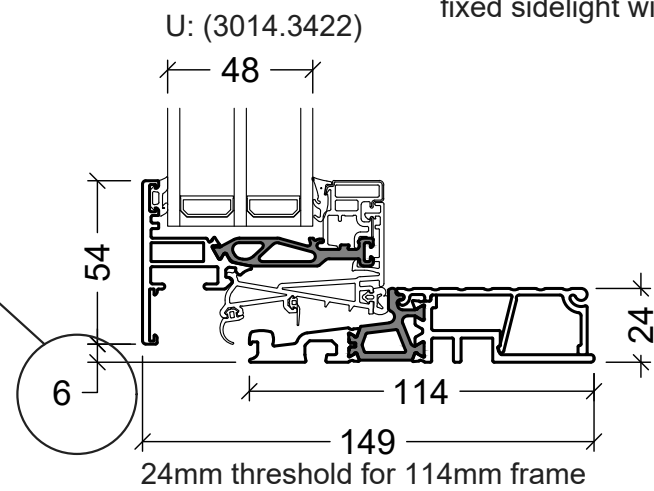


1:40

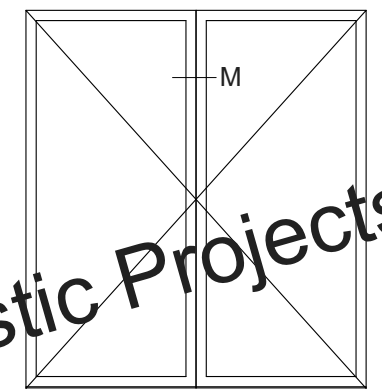
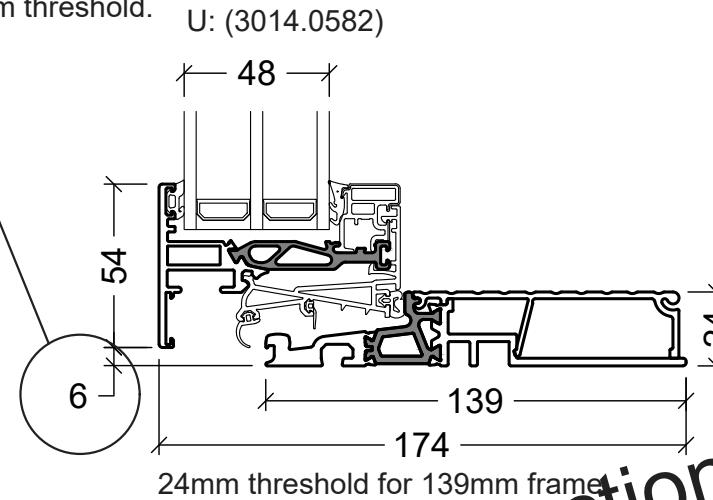


1:40

To ensure alignment:
fixed sidelight with 24mm threshold.



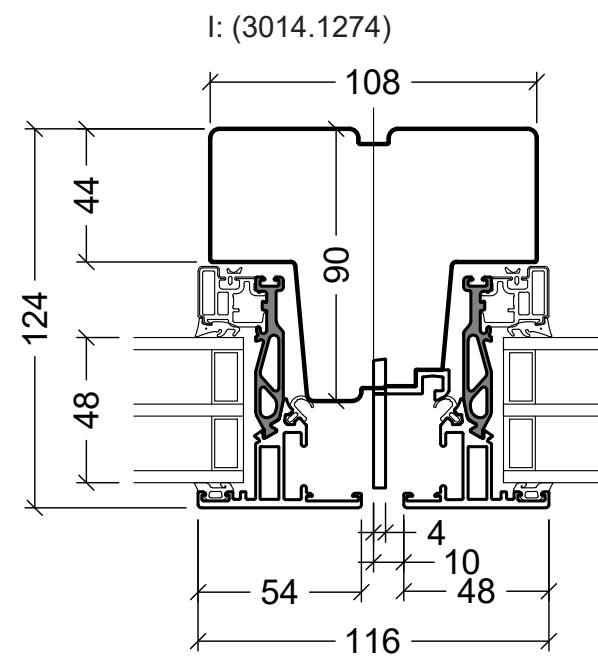
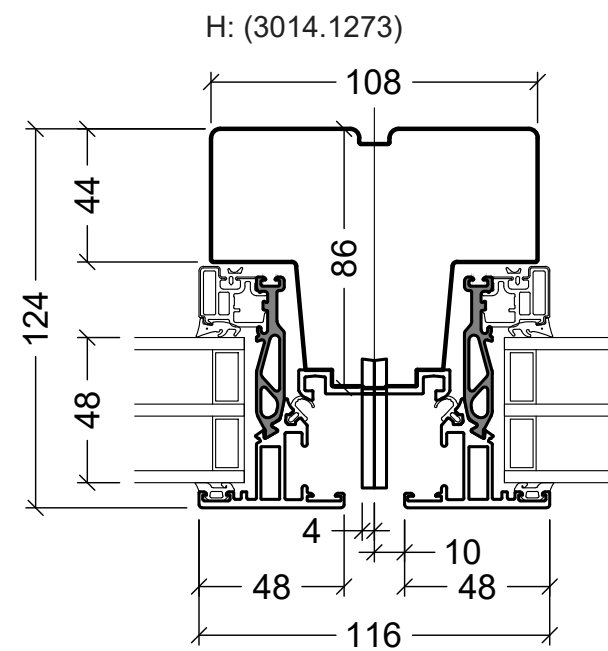
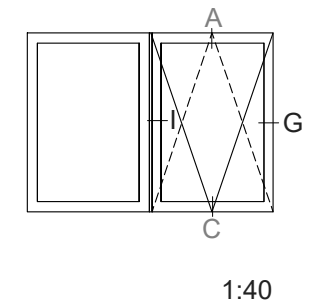
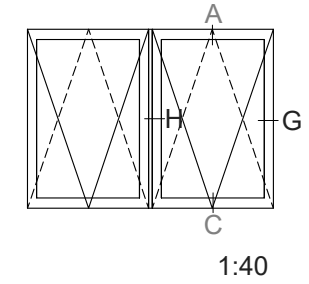
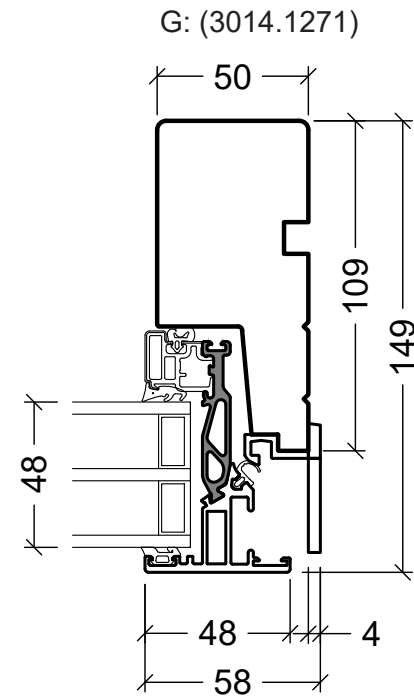
To ensure alignment:
fixed sidelight with 24mm threshold.




Selection for Domestic Projects

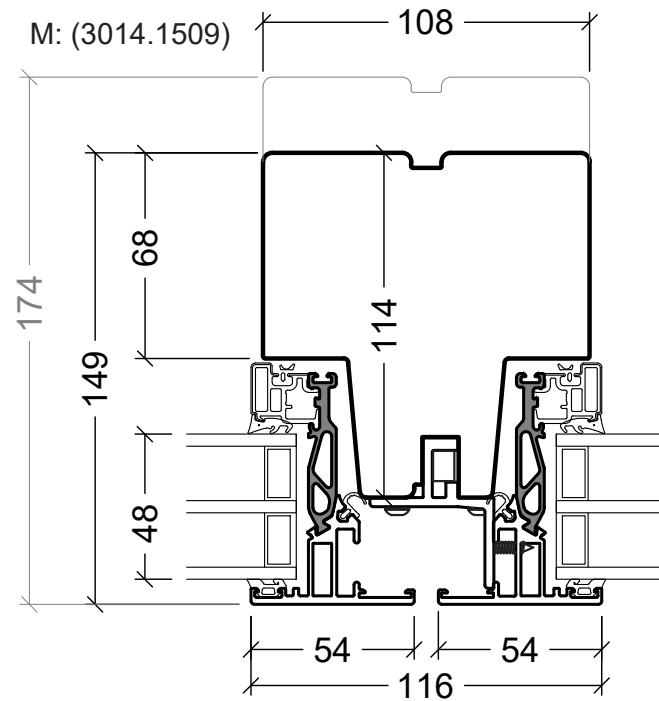
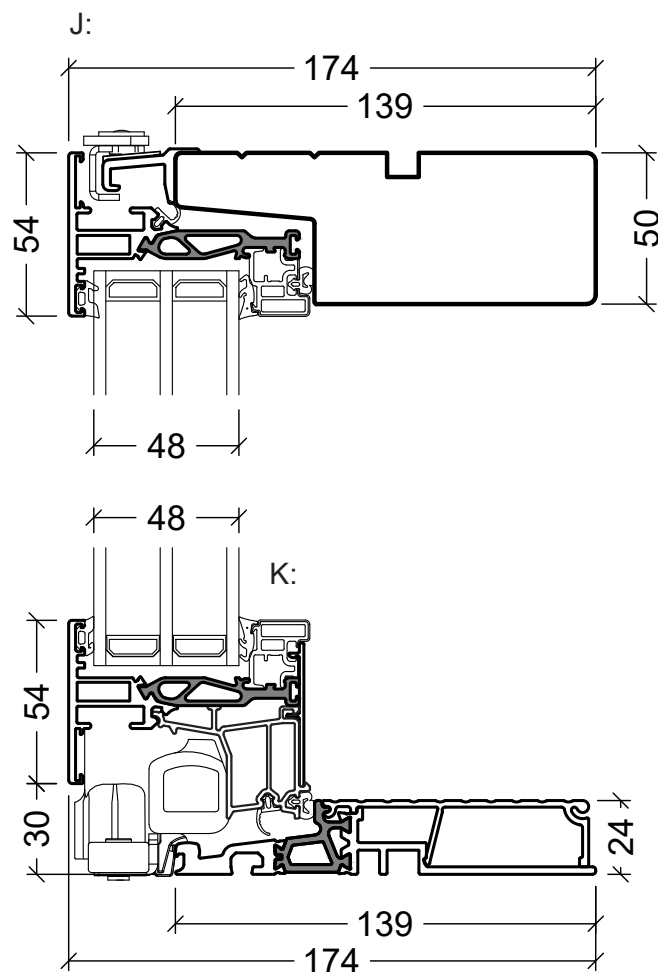
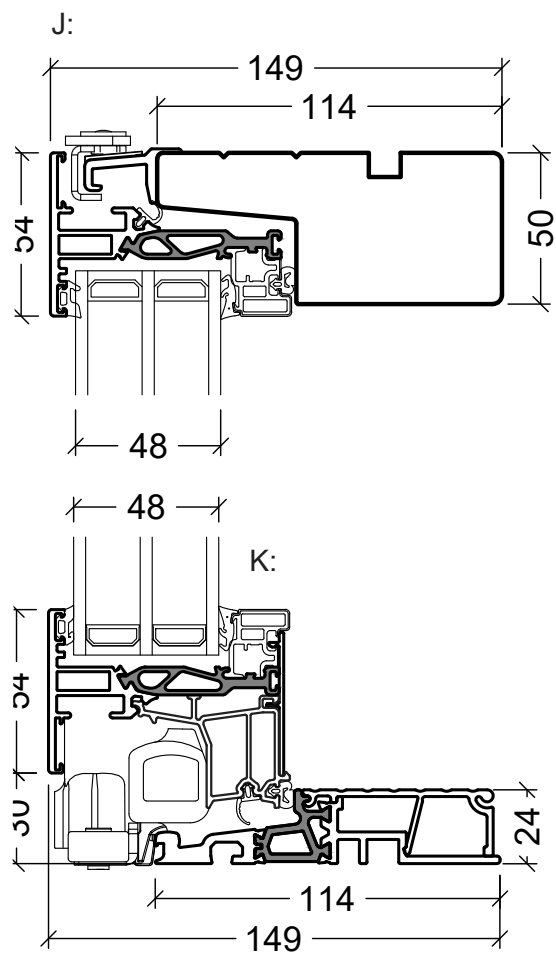
Ⓐ Ⓑ = as standard V200 Energy, see "Standard Details"

<p>VELFAC is a trademark of DOVISTA A/S</p>	System: VELFAC 200 Energy	Scale: 1:2,5 / 1:40
	English: Casement door	Edition No. 09
	Dansk: -	01.21 © 2013, 2021
<p>© DOVISTA A/S, CVR-no. 21147583. All intellectual property rights, copyright as well as all rights in know-how vest in DOVISTA A/S. This drawing may not be reproduced, stored, or transmitted in any form by any means (electronic, mechanical, photocopying, recording or otherwise) without the prior written consent of DOVISTA A/S. This drawing is to be used only for the purposes specified by DOVISTA A/S and for no other purpose. We reserve all rights to change the product and product range without notice.</p>		

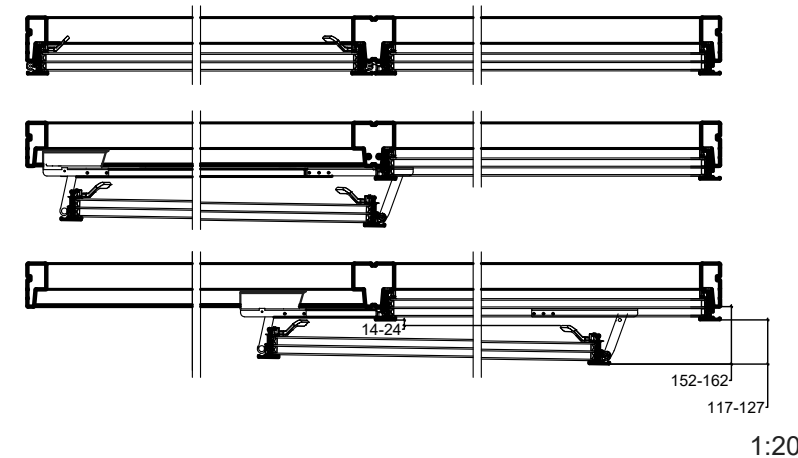


Selection for Domestic Projects
 (A) (C) = as standard V200 Energy, see "Standard Details"

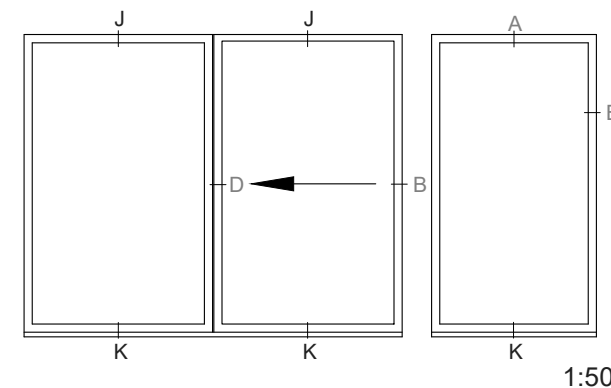
 VELFAC is a trademark of DOVISTA A/S	System: VELFAC 200 Energy	Scale: 1:2,5 / 1:40
	English: Reversible window	Edition No. 09
	Dansk: -	01.21 © 2013, 2021
<small>© DOVISTA A/S, CVR-no. 21147583. All intellectual property rights, copyright as well as all rights in know-how vest in DOVISTA A/S. This drawing may not be reproduced, stored, or transmitted in any form by any means (electronic, mechanical, photocopying, recording or otherwise) without the prior written consent of DOVISTA A/S. This drawing is to be used only for the purposes specified by DOVISTA A/S and for no other purpose. We reserve all rights to change the product and product range without notice.</small>		



VELFAC 200 ENERGY, sliding casement door, 24mm threshold

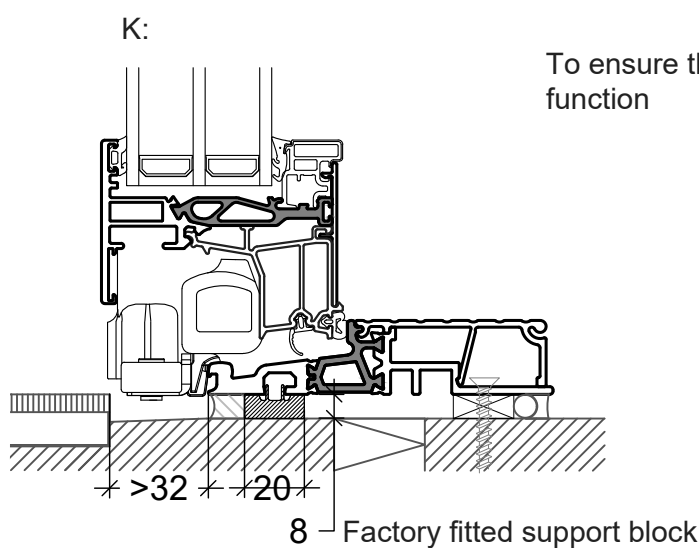


1:20

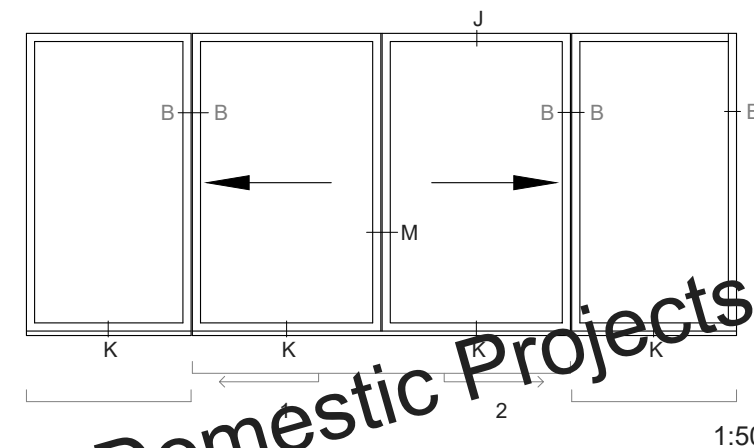
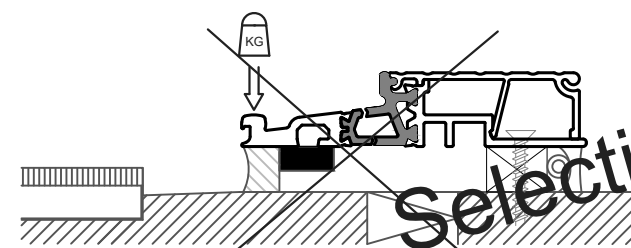
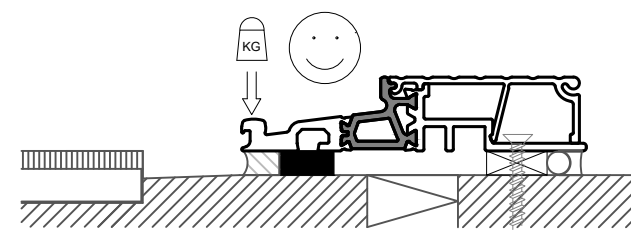
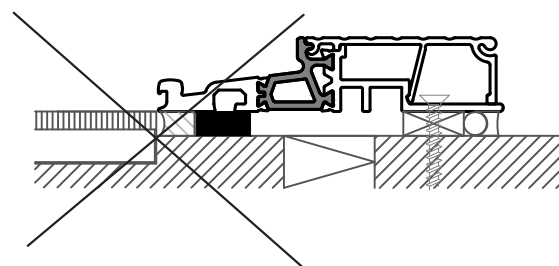
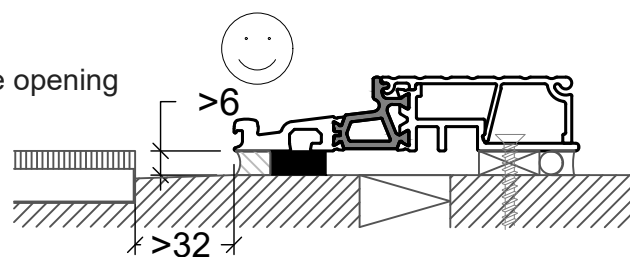


1:50

INSTALLATION TIP



To ensure the opening function



1:50

Selection for Domestic Projects
 (A) (B) (D) = as standard V200 Energy, see "Standard Details"

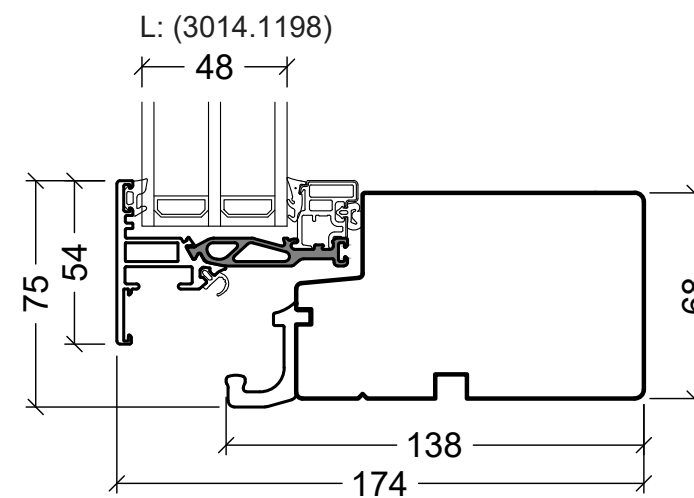
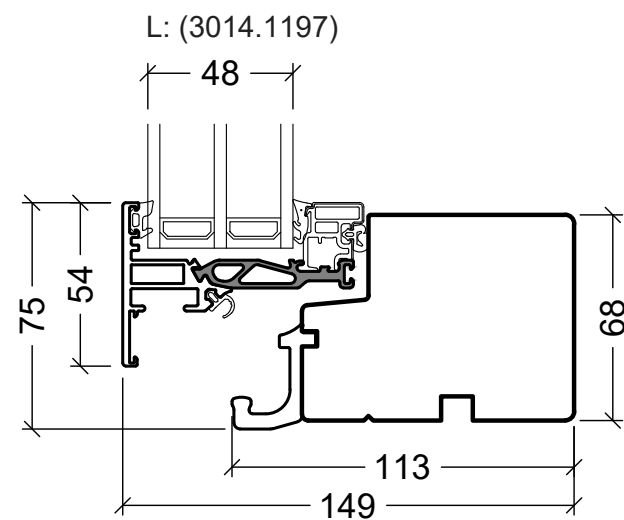
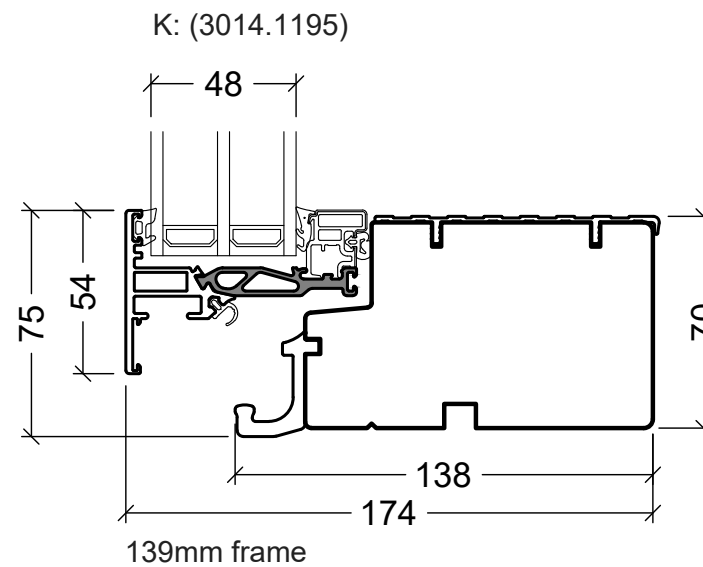
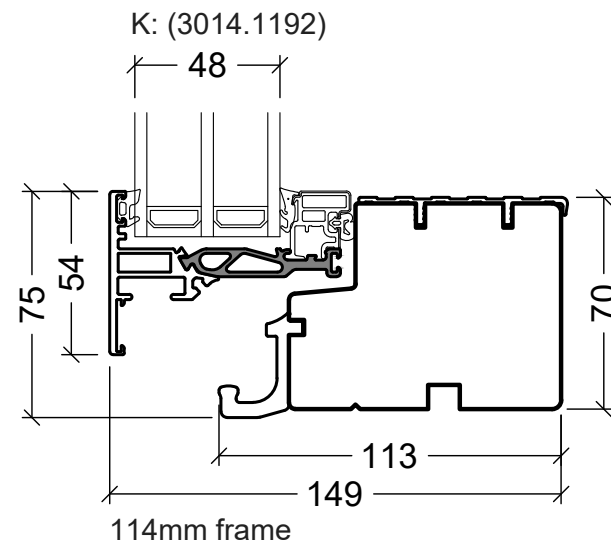
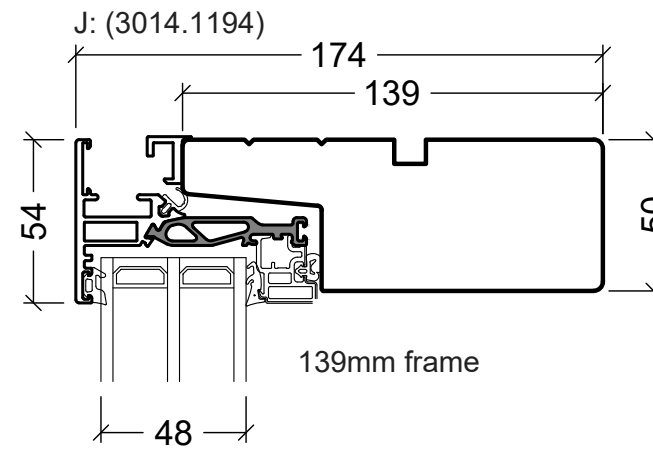
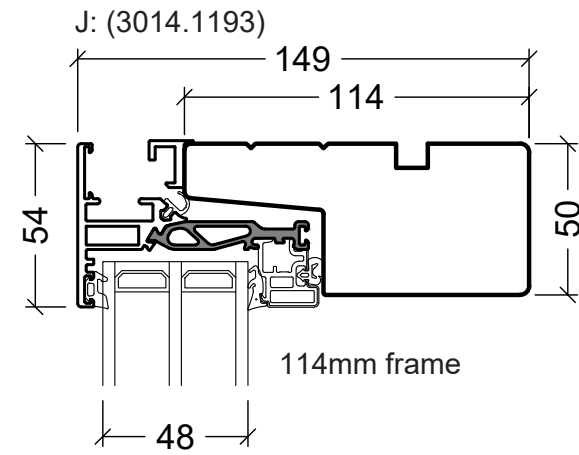
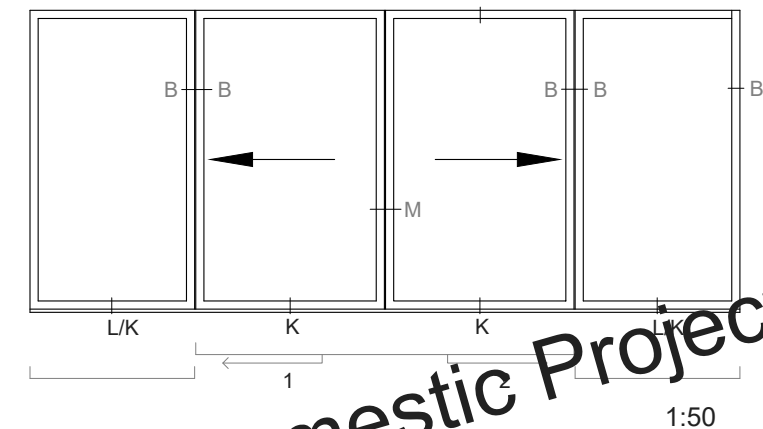
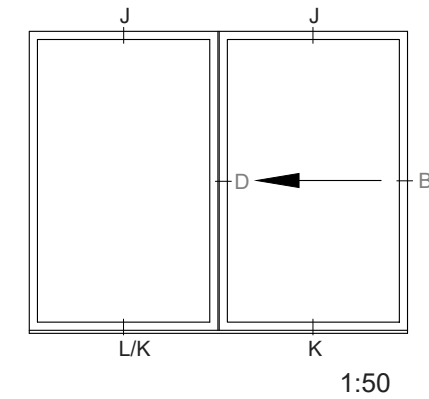
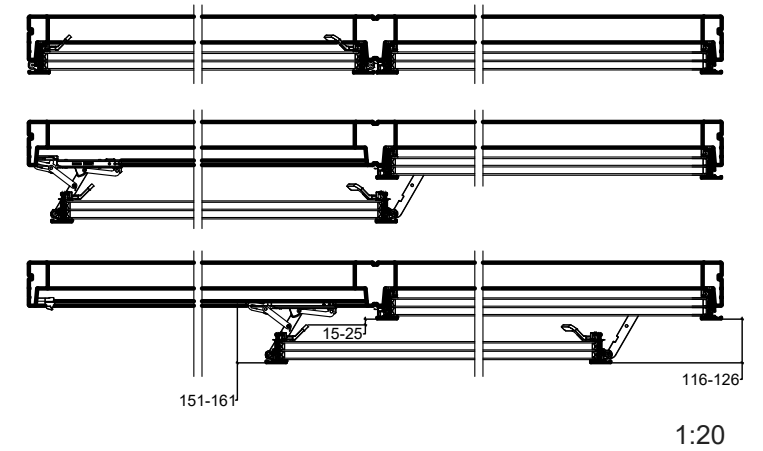


System: VELFAC 200 Energy
 English: Sliding casement door, 24mm threshold
 Dansk: -

Scale: 1:2,5 / 1:20 / 1:50
 Edition No. 09
 01.21 © 2013, 2021

© DOVISTA A/S, CVR-no. 21147583. All intellectual property rights, copyright as well as all rights in know-how vest in DOVISTA A/S. This drawing may not be reproduced, stored, or transmitted in any form by any means (electronic, mechanical, photocopying, recording or otherwise) without the prior written consent of DOVISTA A/S. This drawing is to be used only for the purposes specified by DOVISTA A/S and for no other purpose. We reserve all rights to change the product and product range without notice.

VELFAC 200 ENERGY, sliding casement door, 70mm threshold

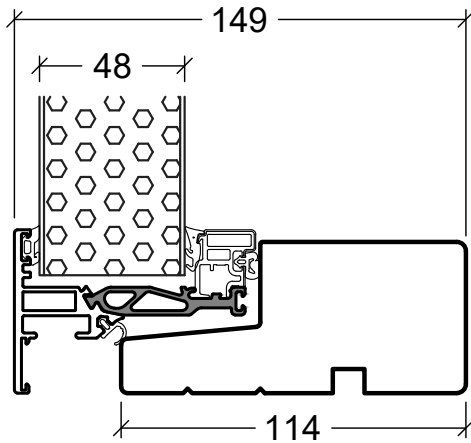


Selection for Domestic Projects

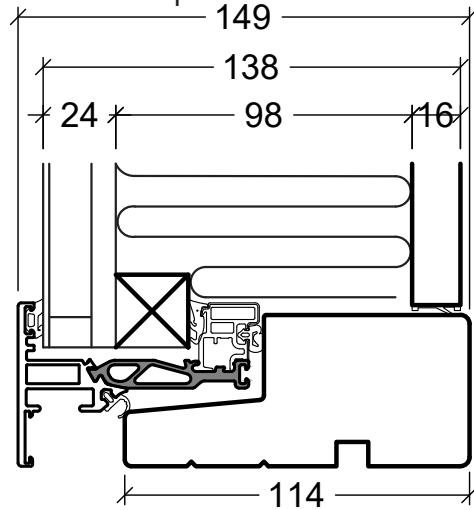
ⓑ ⓓ = as standard V200 Energy, see "Standard Details"
 Ⓜ = see sliding casement door with 24mm threshold

VELFAC® <small>VELFAC is a trademark of DOVISTA A/S</small>	System: VELFAC 200 Energy	Scale: 1:2,5 / 1:20 / 1:50
	English: Sliding casement door, 70mm threshold	Edition No. 09
	Dansk: -	01.21 © 2013, 2021
<small>© DOVISTA A/S, CVR-no. 21147583. All intellectual property rights, copyright as well as all rights in know-how vest in DOVISTA A/S. This drawing may not be reproduced, stored, or transmitted in any form by any means (electronic, mechanical, photocopying, recording or otherwise) without the prior written consent of DOVISTA A/S. This drawing is to be used only for the purposes specified by DOVISTA A/S and for no other purpose. We reserve all rights to change the product and product range without notice.</small>		

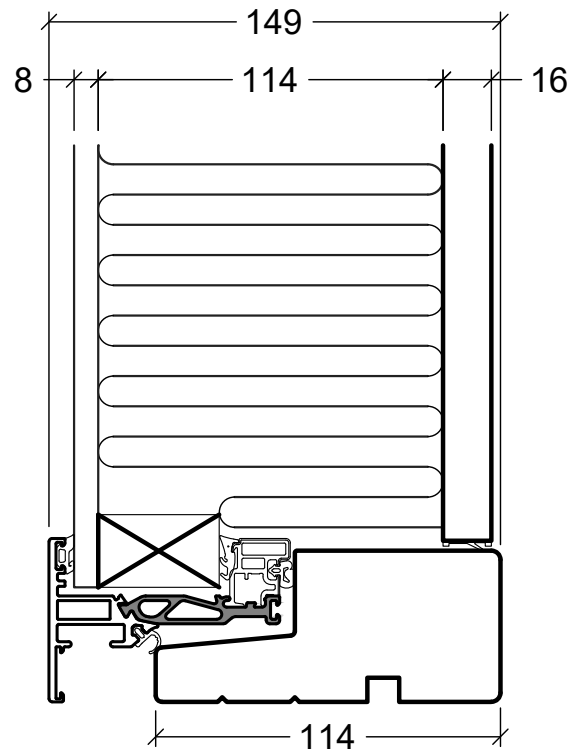
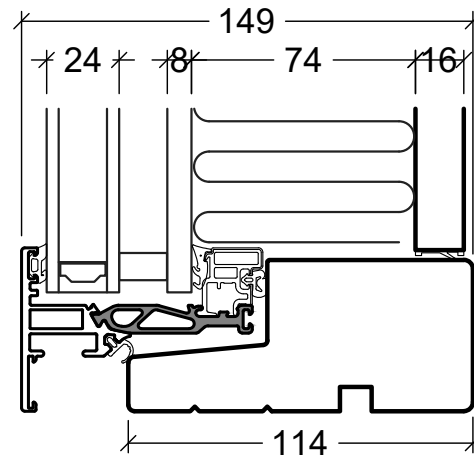
(3014.1069)
Sandwich panel



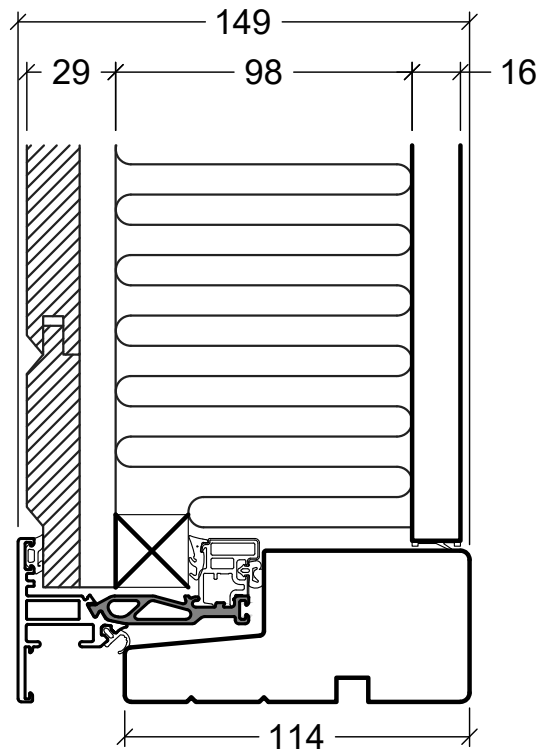
(3014.3244)
Ventilated panel



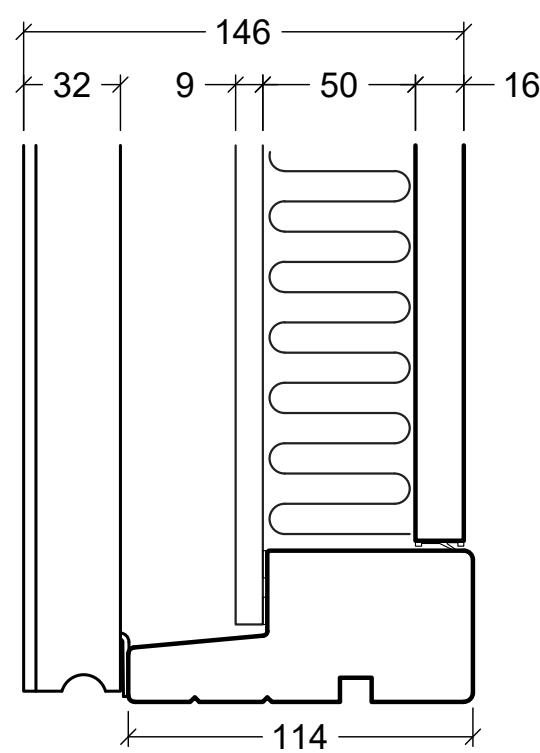
(3014.1068)
Shadowbox



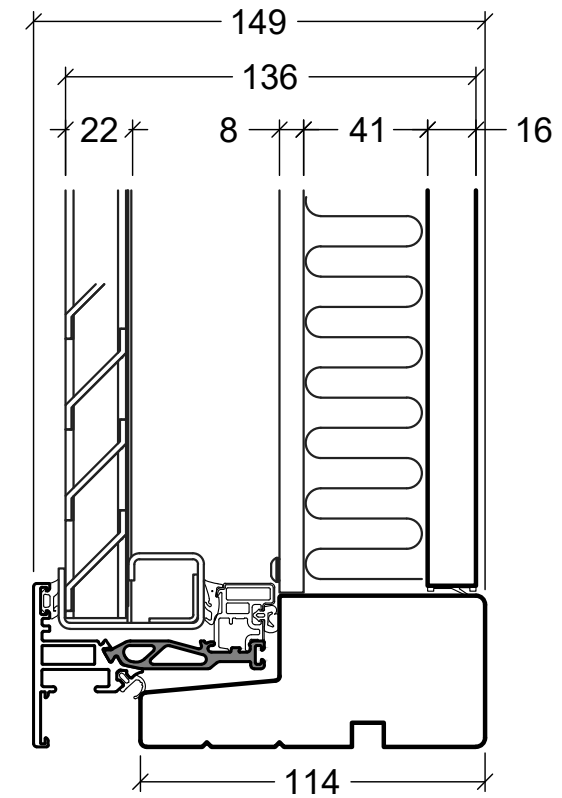
(3014.1081)
Non ventilated panel



(3014.1079)
Ceder panel



(3014.1064)
Rainscreen panel



(3014.1431)
Louvre panel with backboard

Selection for Domestic Projects

VELFAC®

VELFAC is a trademark of DOVISTA A/S

System: VELFAC 200 Energy

English: Panels, 114mm

Dansk: -

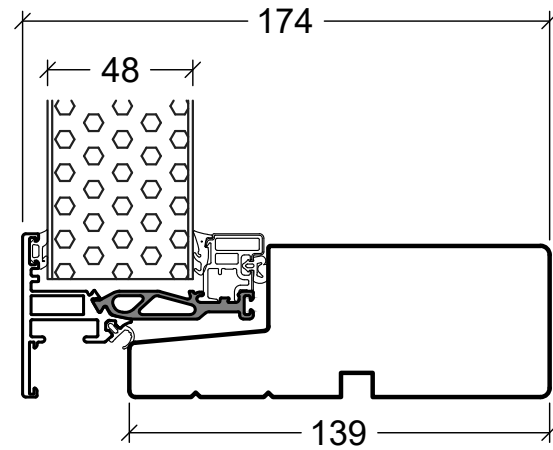
Scale: 1:2,5

Edition No. 09

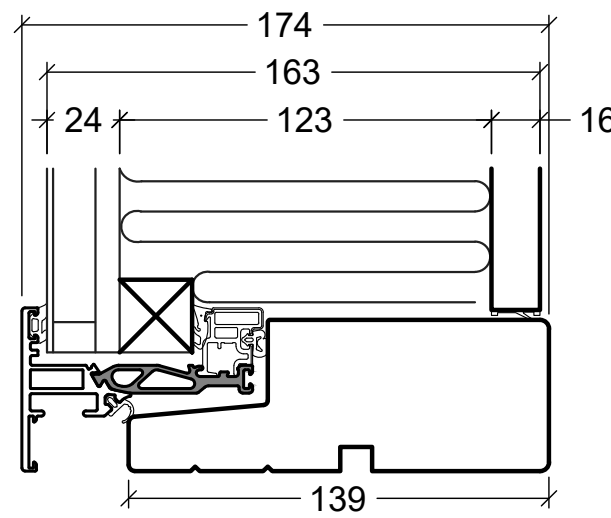
01.21 © 2013, 2021

© DOVISTA A/S, CVR-no. 21147583. All intellectual property rights, copyright as well as all rights in know-how vest in DOVISTA A/S. This drawing may not be reproduced, stored, or transmitted in any form by any means (electronic, mechanical, photocopying, recording or otherwise) without the prior written consent of DOVISTA A/S. This drawing is to be used only for the purposes specified by DOVISTA A/S and for no other purpose. We reserve all rights to change the product and product range without notice.

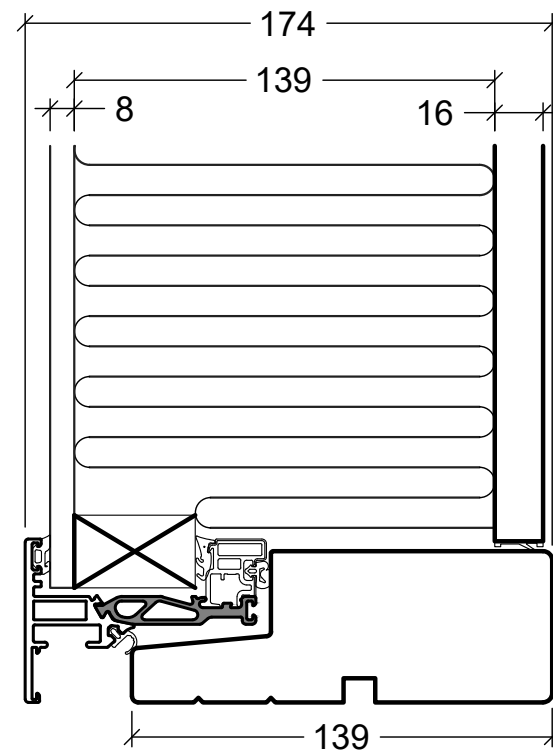
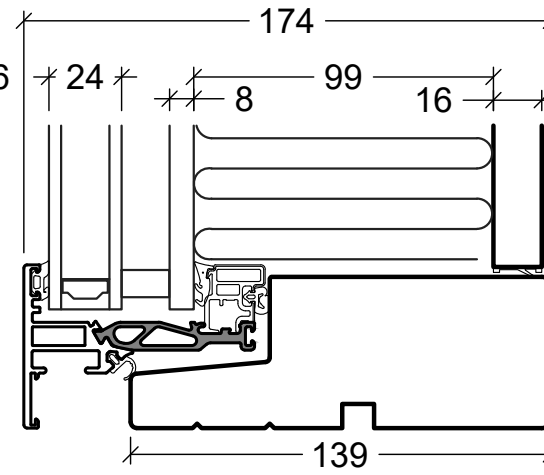
(3014.1069)
Sandwich panel, 139 mm frame



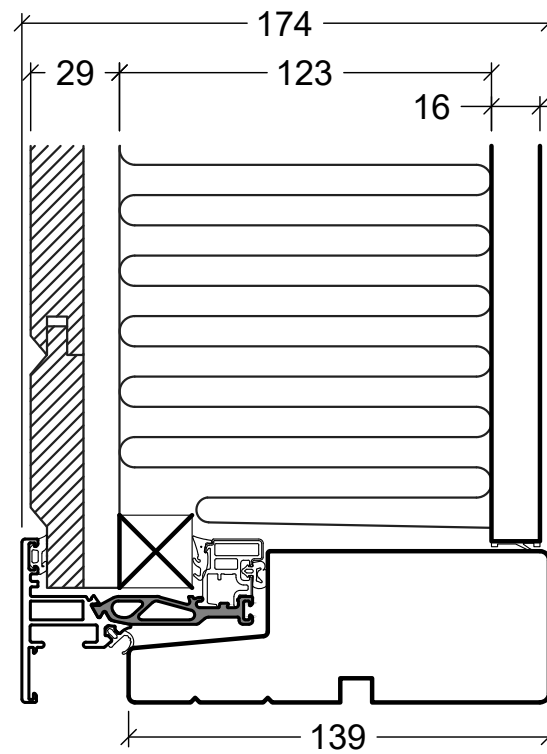
(3014.3244)
Ventilated panel, 139 mm frame



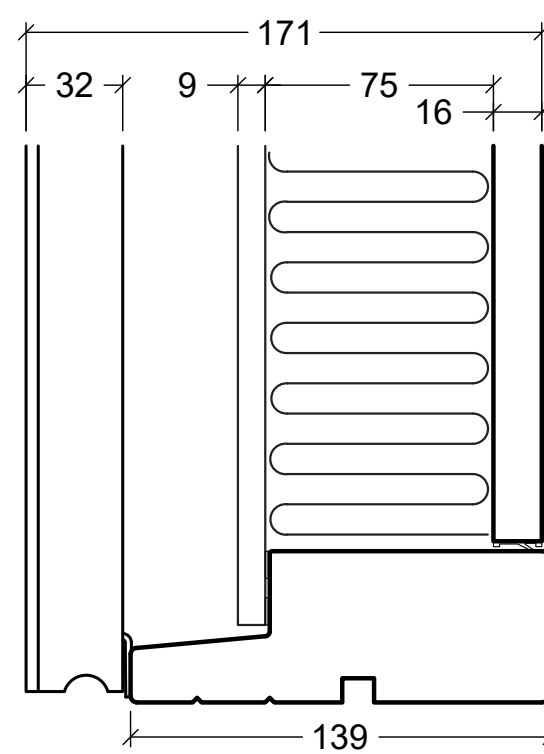
(3014.1068)
Shadowbox, 139 mm frame



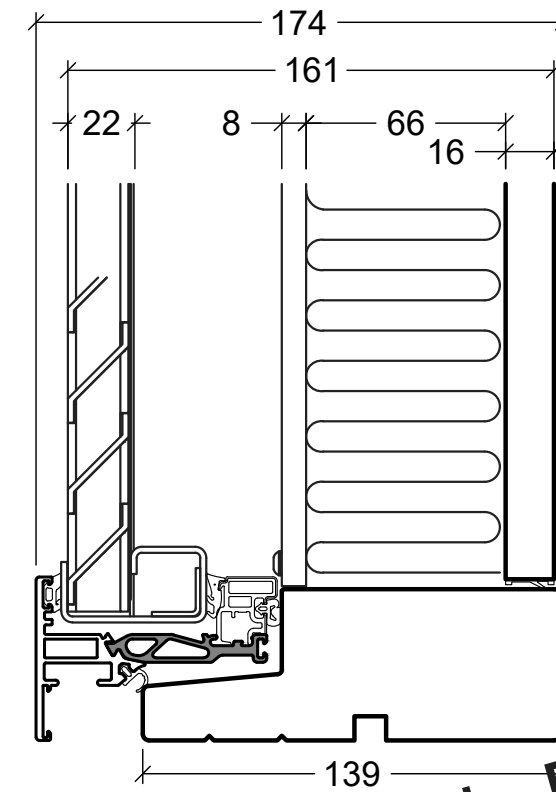
(3014.1081)
Non ventilated panel, 139 mm frame



(3014.1079)
Ceder panel, 139 mm frame




(3014.1064)
Rainscreen panel, 139 mm frame



(3014.1431)
Louvre panel with backboard, 139 mm frame

Selection for Domestic Projects

 VELFAC is a trademark of DOVISTA A/S	System: VELFAC 200 Energy	Scale: 1:2,5
	English: Panels, 139mm	Edition No. 09
	Dansk: -	01.21 © 2013, 2021
© DOVISTA A/S, CVR-no. 21147583. All intellectual property rights, copyright as well as all rights in know-how vest in DOVISTA A/S. This drawing may not be reproduced, stored, or transmitted in any form by any means (electronic, mechanical, photocopying, recording or otherwise) without the prior written consent of DOVISTA A/S. This drawing is to be used only for the purposes specified by DOVISTA A/S and for no other purpose. We reserve all rights to change the product and product range without notice.		